

# ACCESS PANEL

**Models: K80-HAD & K85-CAD**

## STANDARD CONSTRUCTION

### FRAME:

Heavy duty extruded aluminum with 1-1/4" front flanges and mitered corners.

### DOOR

Extruded aluminum frame with mitered corner and 20gauge aluminum panel.

### ATTACHMENT

Pin attachment on each end.

### LOCKS

Slotted locks

### FINISH

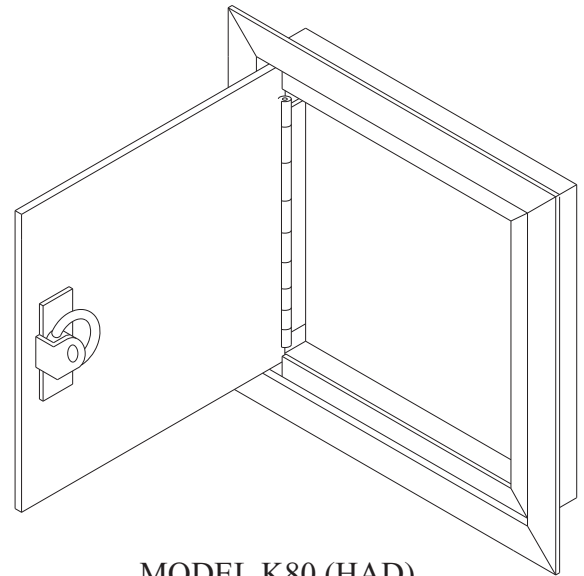
Mill finish

### SIZES

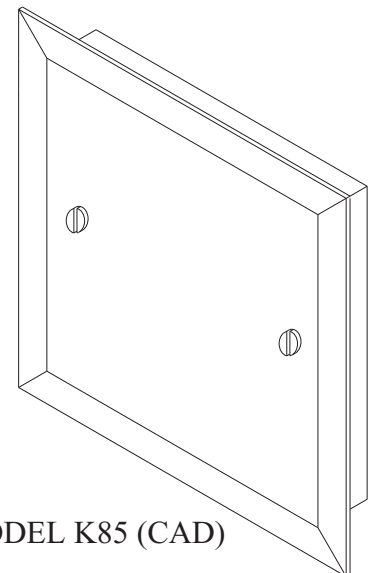
Minimum sizes: 10"width X 10" Height

### OPTIONS:

- Continuous aluminum hinge on model K80 HAD.
- Keyed locks with key.
- Finish: All RAL colors
- Door construction: available with 22 gage galvanized.



**MODEL K80 (HAD)**  
HINGED, FLUSH DOOR AND FLUSH MOUNT  
ACCESS DOOR WITH SLOTTED OR KEYED LOCKS



**MODEL K85 (CAD)**

HINGELESS, FLUSH DOOR AND FLUSH MOUNT ACCESS DOOR WITH MULTIPLE SLOTTED OR KEYED LOCKS FOR DOOR CLOSURE. USED WHERE OBSTRUCTIONS PREVENT OPENING HINGED DOORS.

